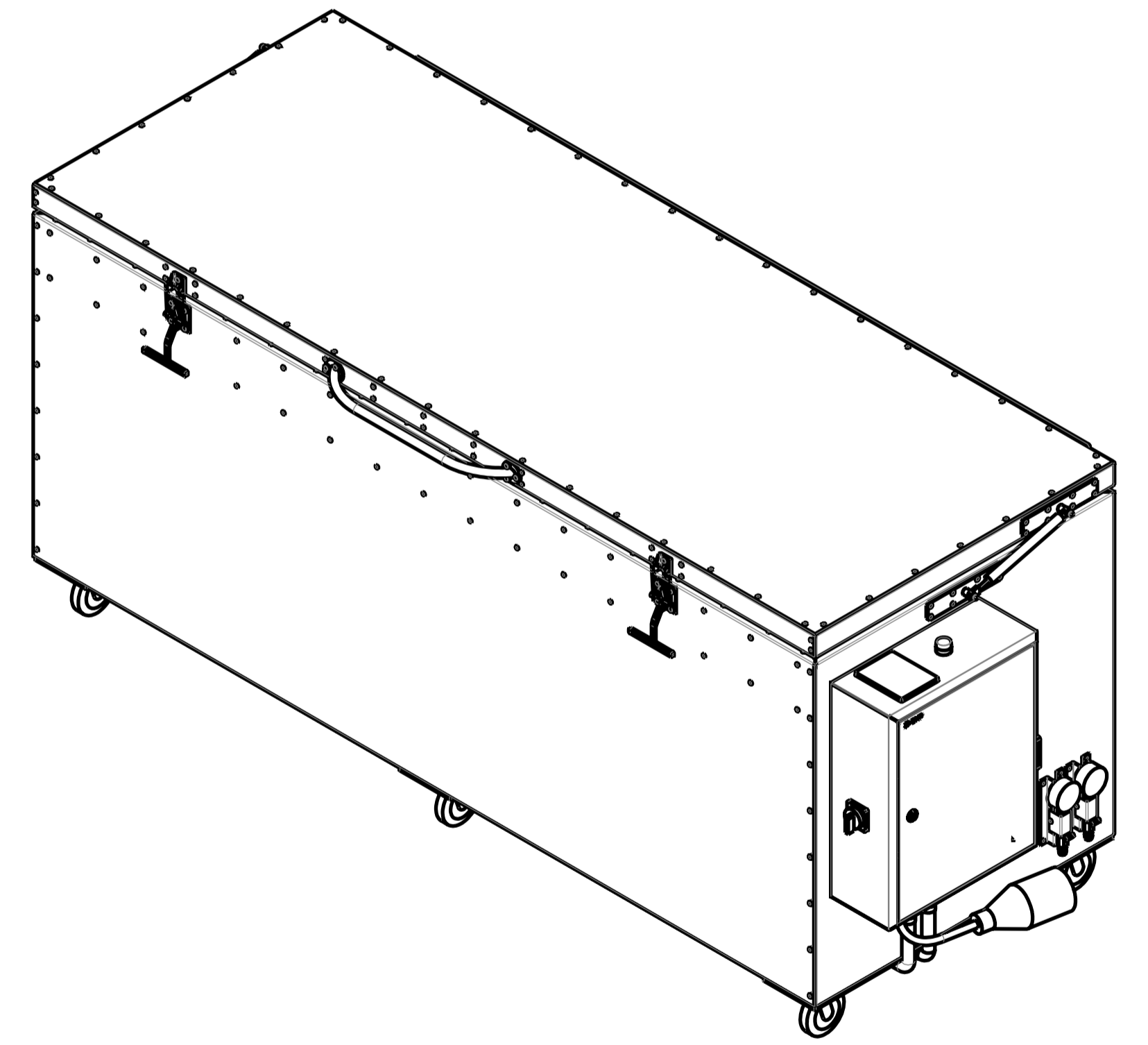
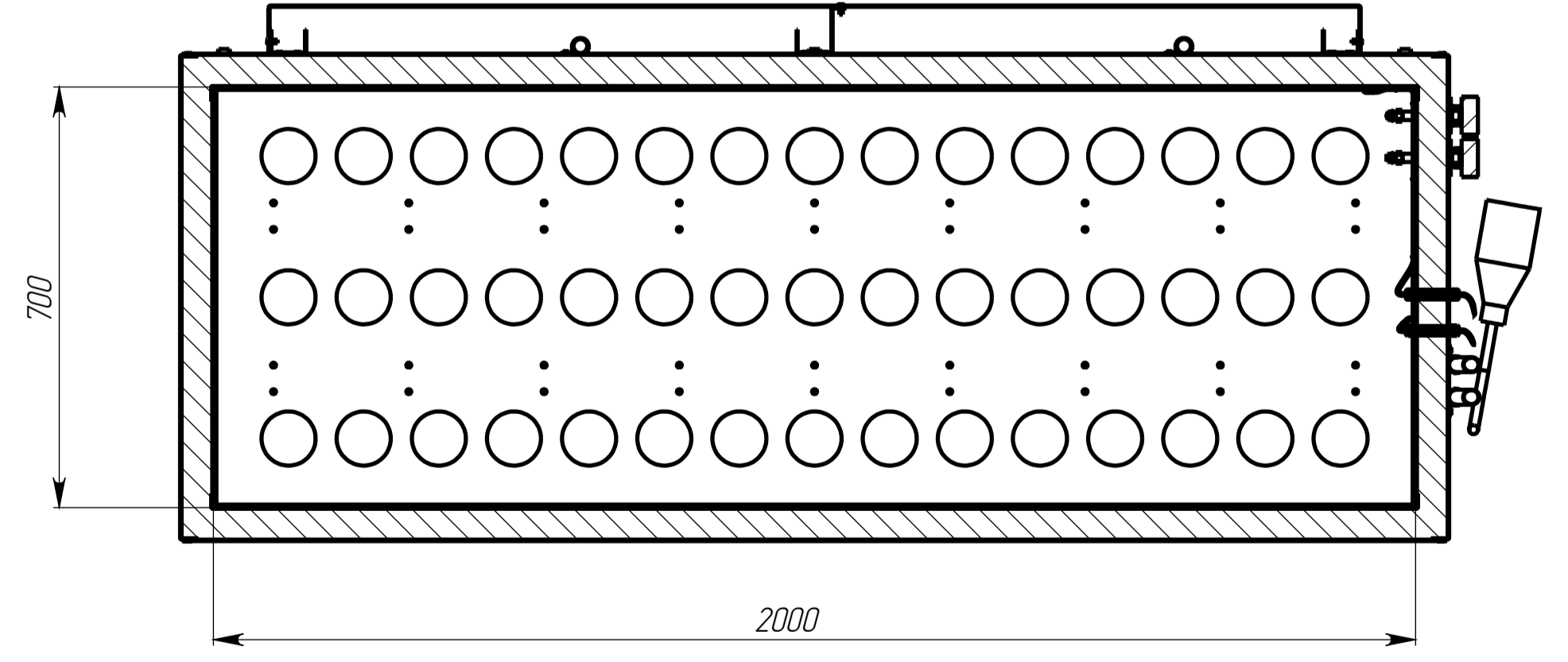
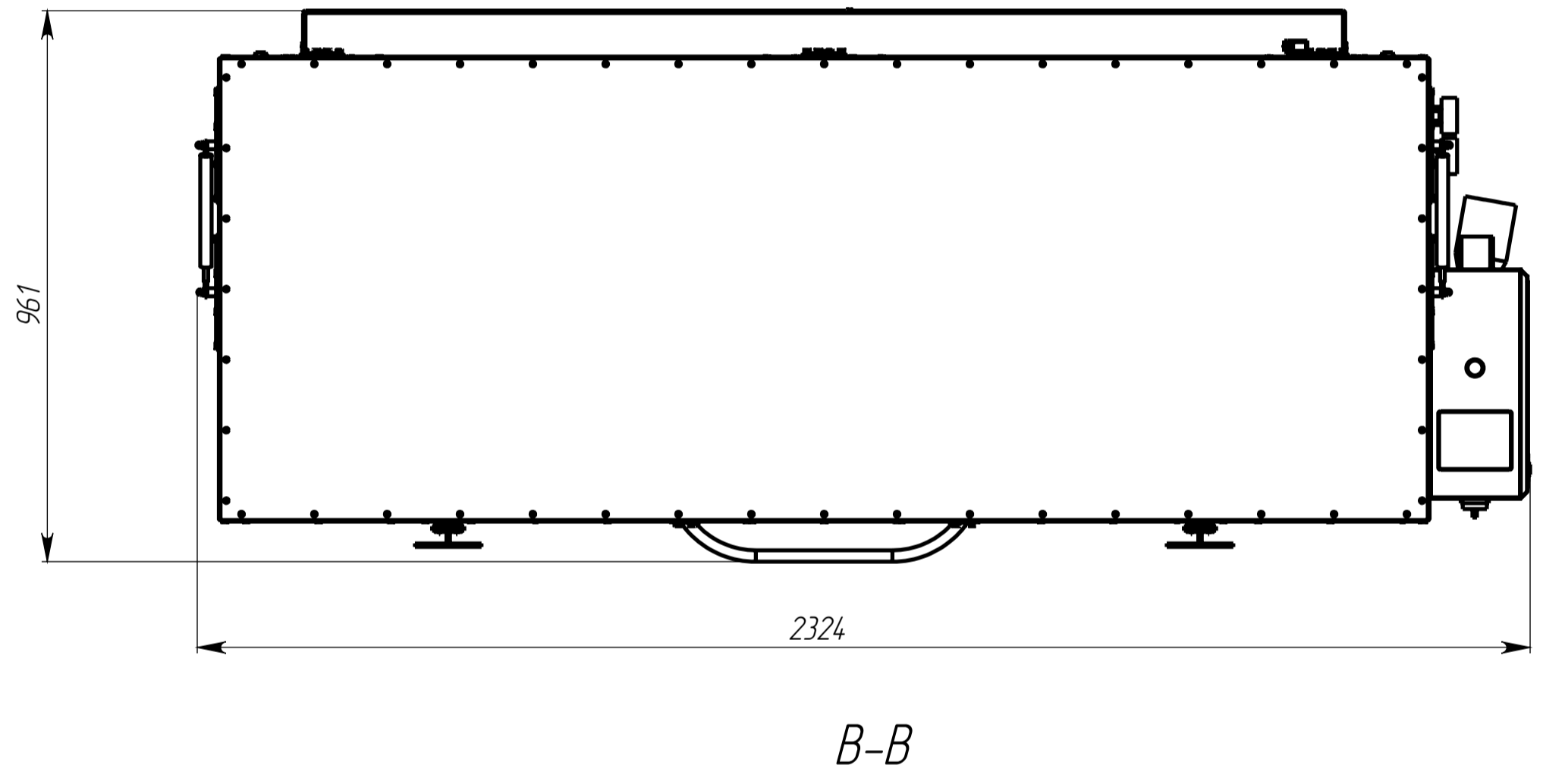
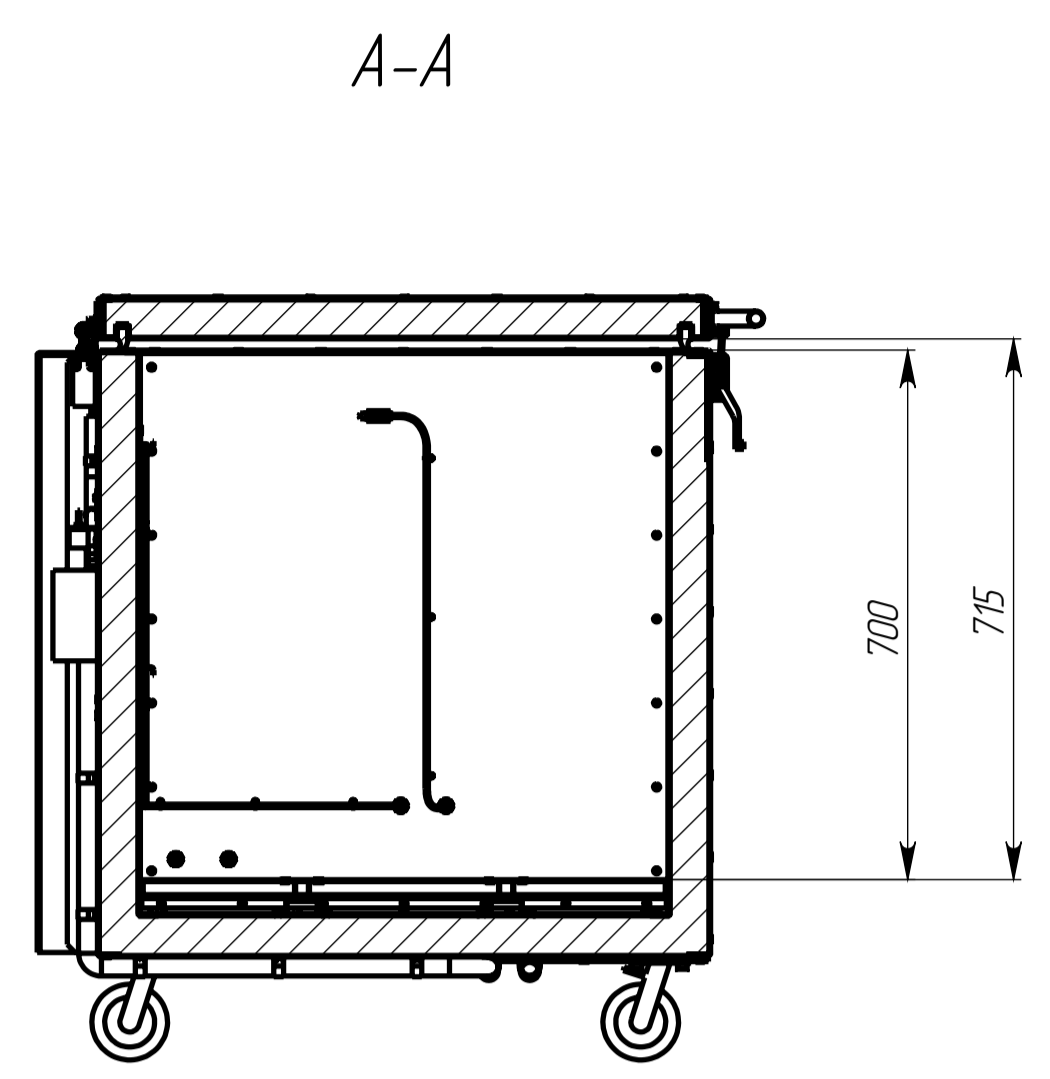
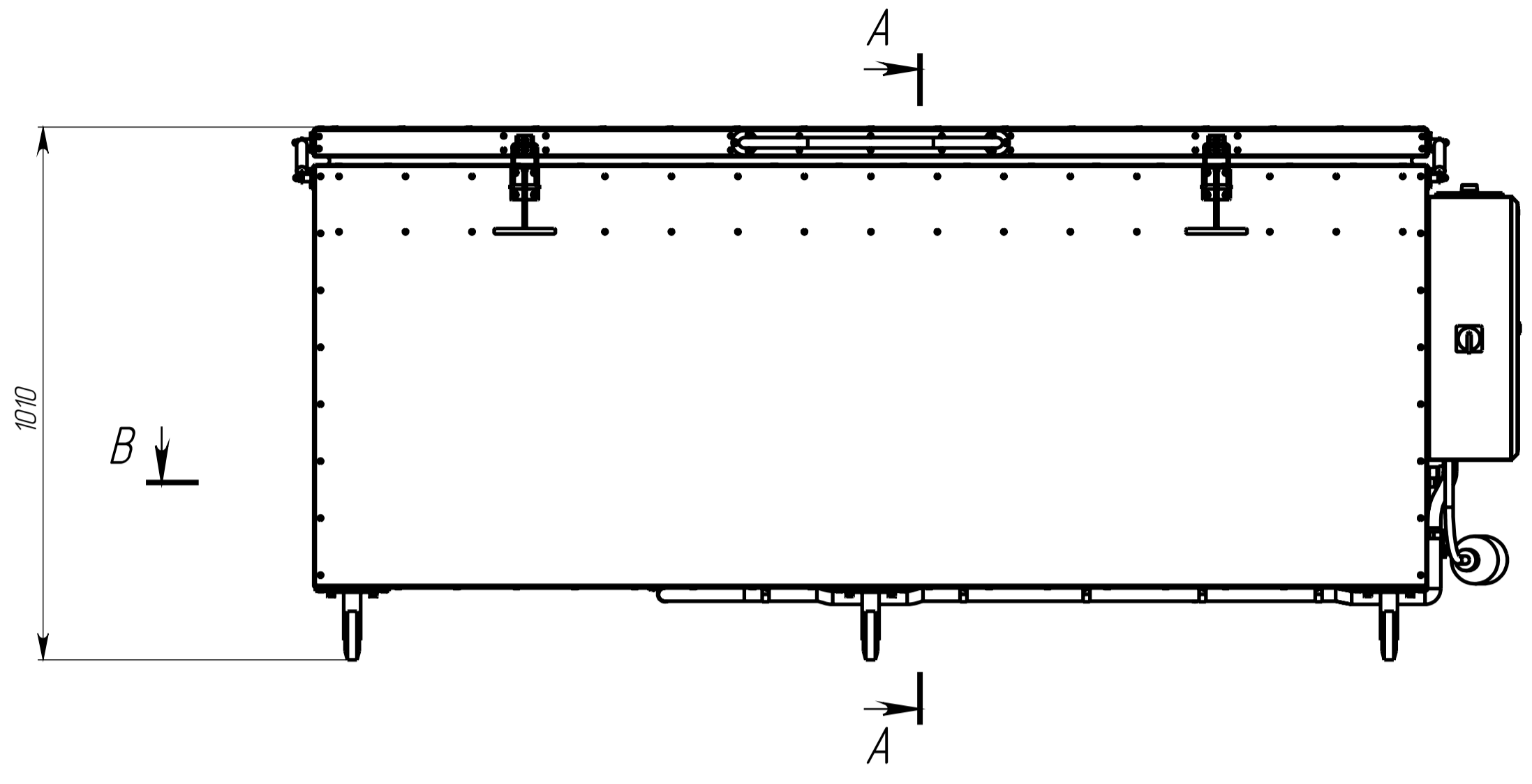
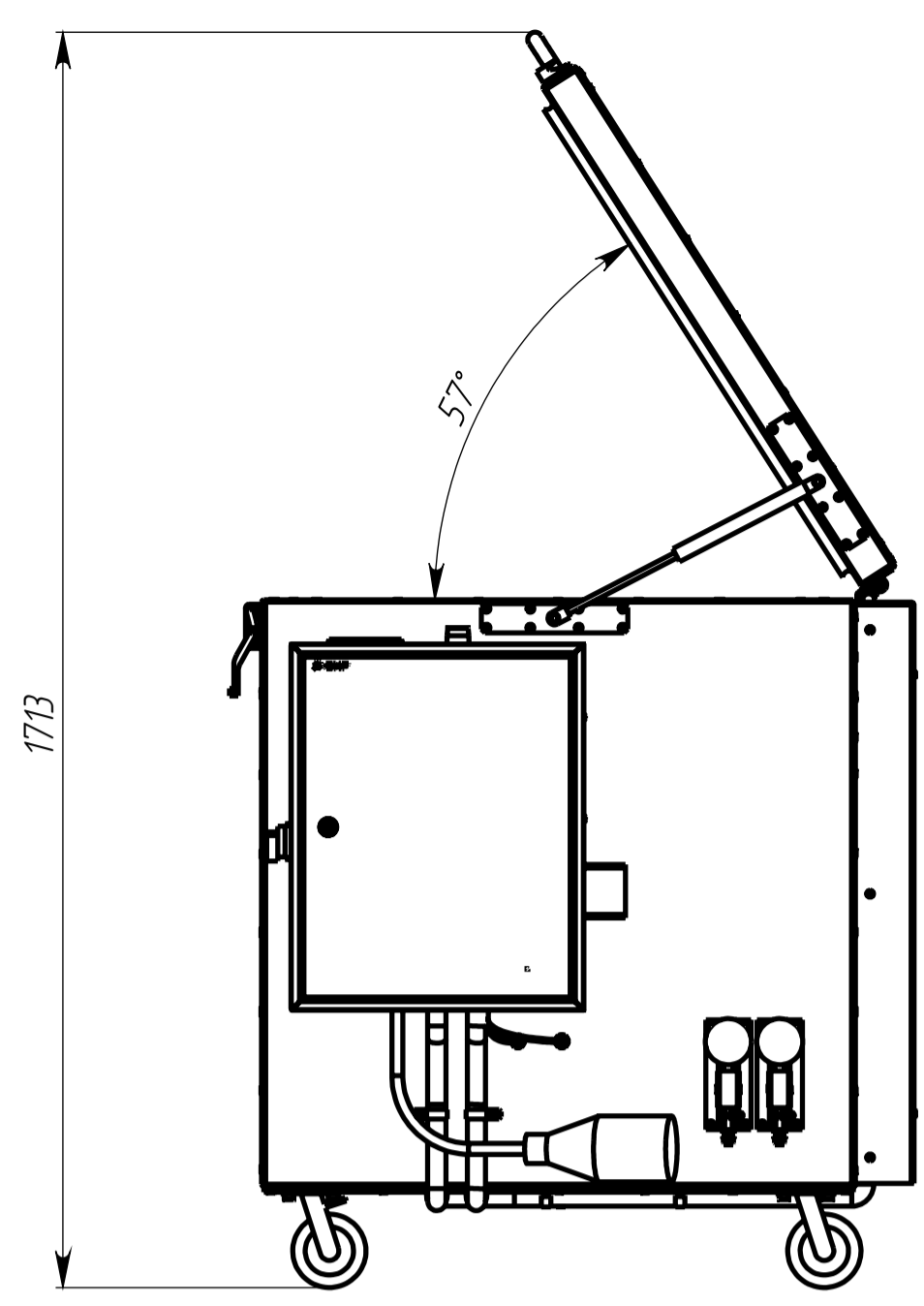


16 15 14 13 12 11 10 9 8 7 6 5 4 3 2 1

M L K J I H G F E D C B A

REVISIONS			
REV	DESCRIPTION	DATE	APPROVED



UNLESS OTHERWISE SPECIFIED DIM ARE IN MILLIMETERS (DIM ARE IN INCHES) TOL ON ANGLES $\pm 0.5^\circ$ Ø PLACE ± 0.5 1 PLACE ± 0.1 INTERPRET DIM AND TOL PER ASME Y14.5M Surface Finish: Ra3.2		DRAFTER			
		CHECKER			
		DEV ENGR			
		CONTRACT NO.			
		TITLE OVEN-2000/700			
		MATERIAL	SIZE A1	CAGE CODE	DRAWING NUMBER
		SCALE 1:10		WEIGHT KG 613248.08	REV 10
APPLICATION		SHEET		4 OF 4	

16 15 14 13 12 11 10 9 8 7 6 5 4 3 2 1