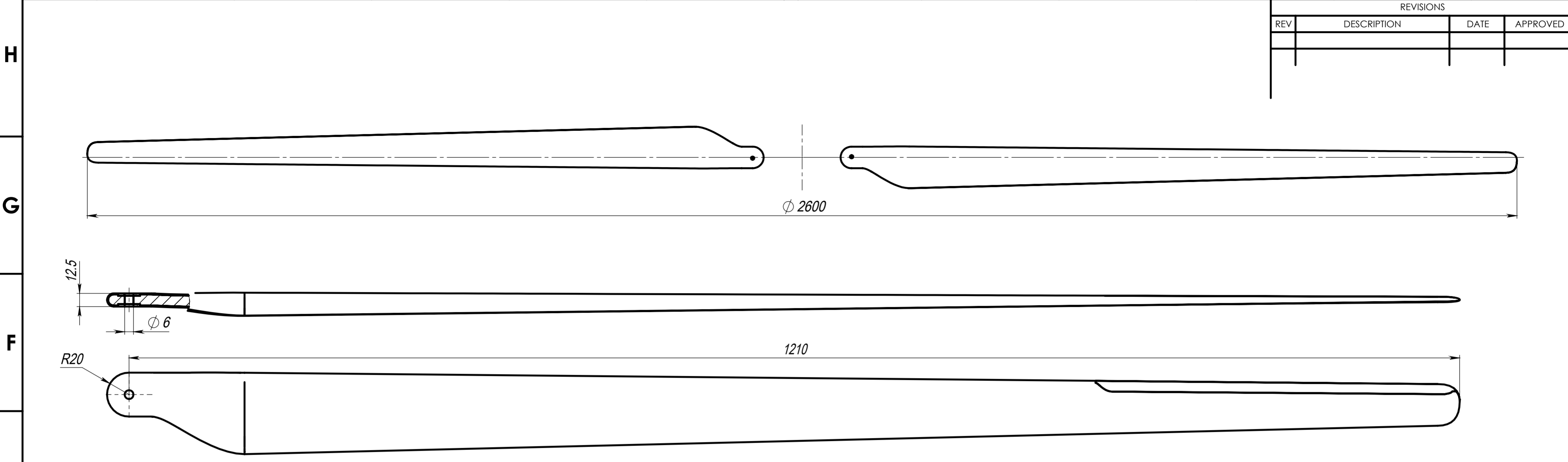
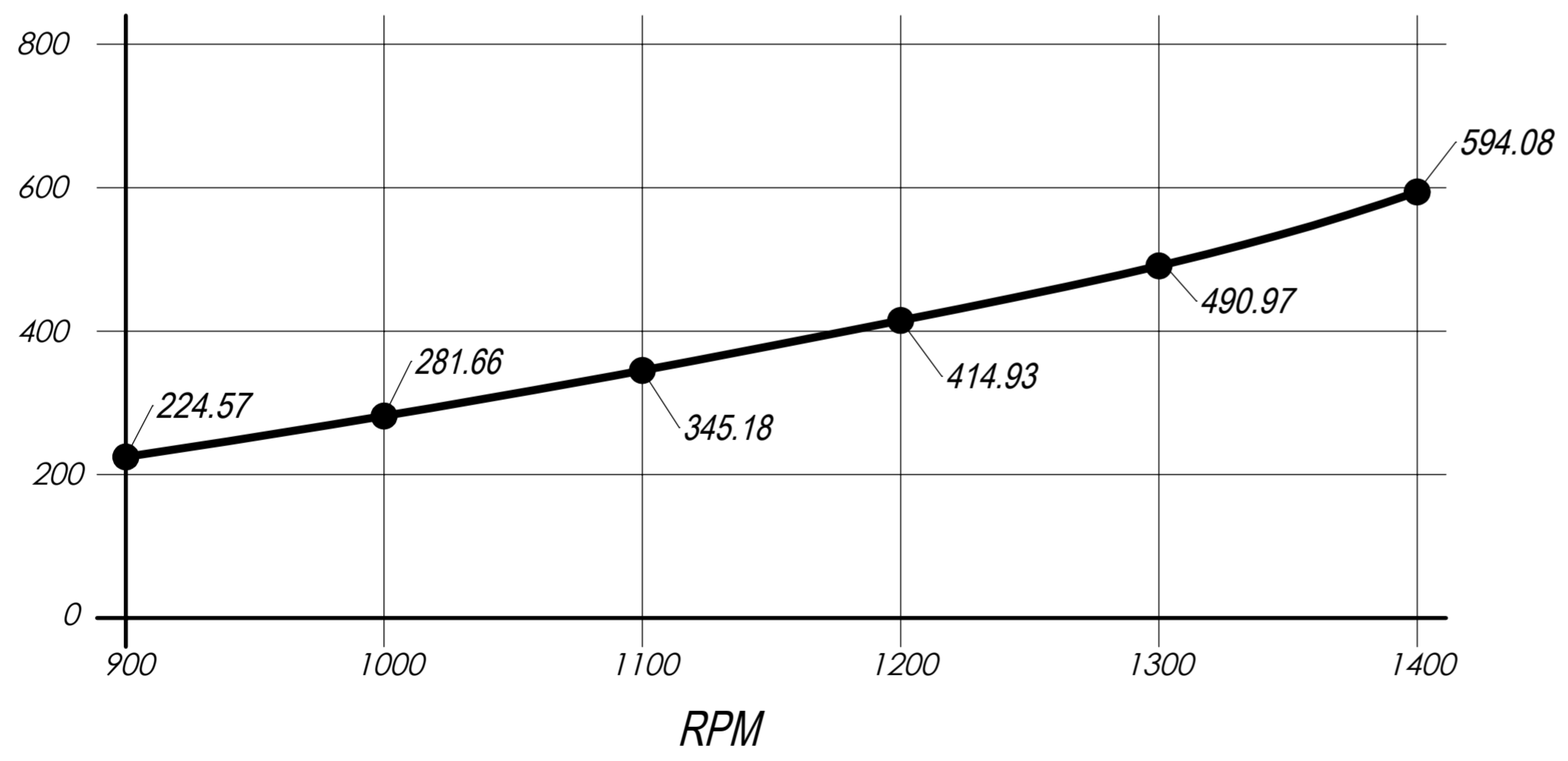




REVISIONS			
REV	DESCRIPTION	DATE	APPROVED



Thrust, N (β at 75% $R=7.8^\circ$)
rotor diameter 2600 mm



Length	1230 mm
Width	76-38 mm
Thickness	12.5-4.5 mm
Root thickness	12.5 mm
Pin diameter	6 mm
Rotation	left
Twist	10°
Material	Carbon fiber (prepreg)
Max. RPM	1300 RPM
Weight	0.42 ± 0.02 kg/blade
MaxTOW (2 blades)	50 kg

This drawing and any information or descriptive material set out on it are the confidential and copyright property of UAVOS and MUST NOT BE DISCLOSED, COPIED, LOANED in whole or part or used for any purpose without the written permission of UAVOS .			UNLESS OTHERWISE SPECIFIED DIM ARE IN MILLIMETERS [DIM ARE IN INCHES] TOL ON ANGLES $\pm 0.5^\circ$ 0 PLACE ± 0.5 1 PLACE ± 0.1 INTERPRET DIM AND TOL PER ASME Y14.5M Surface Finish: Ra3.2	DRAFTER CHECKER DEV ENGR	 UAVOS TITLE	
				CONTRACT NO. UAVOS FUNDED		Two - bladed main rotor CCW
	NEXT ASSY USED ON	THIRD ANGLE PROJECTION		MATERIAL Материал <не указан>	SCALE A2 CAGE CODE DRAWING NUMBER UV01.29060.02 REV 00	
	APPLICATION			SCALE 1:2.5 WEIGHT KG SHEET 1 OF 1		