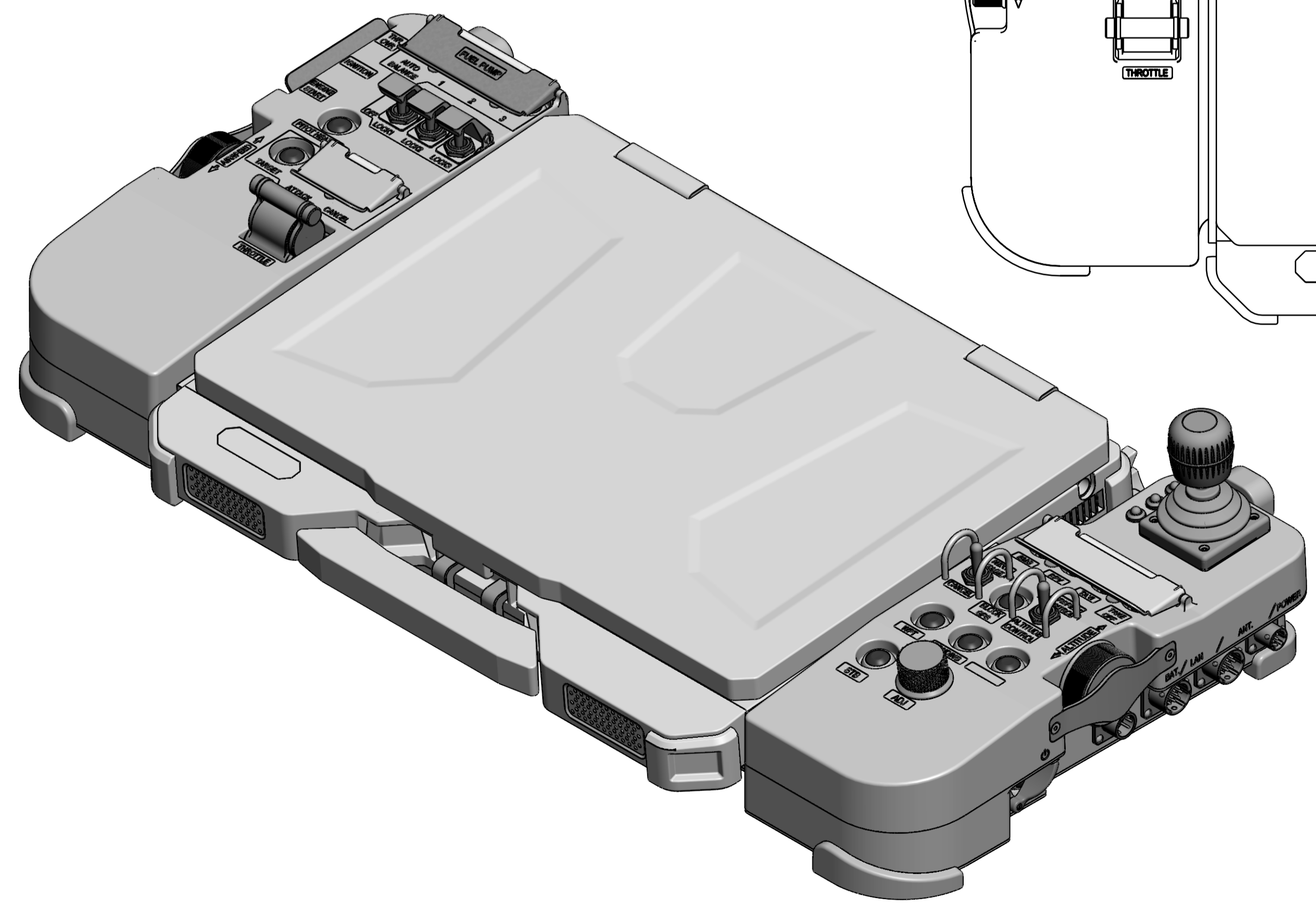
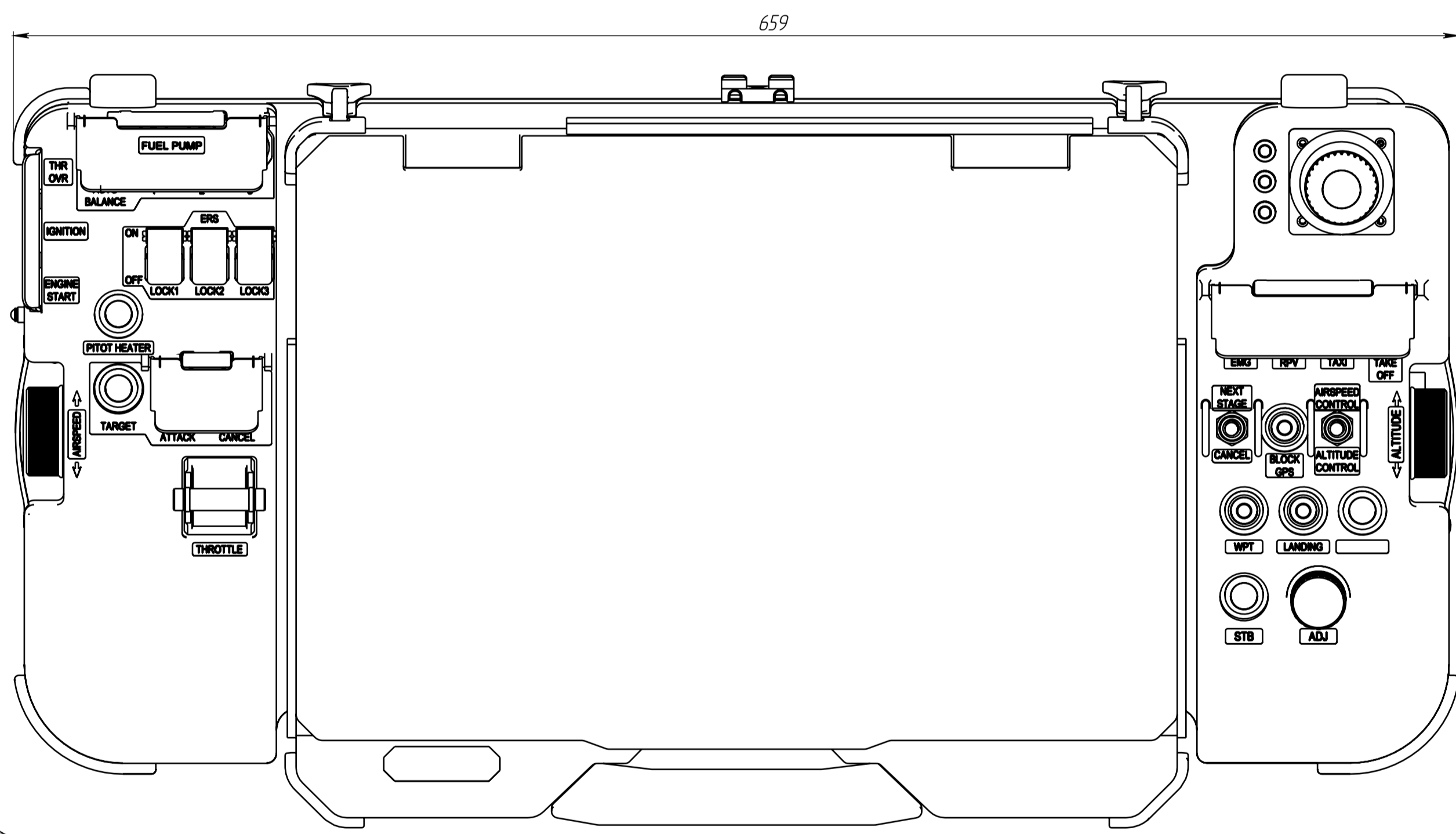
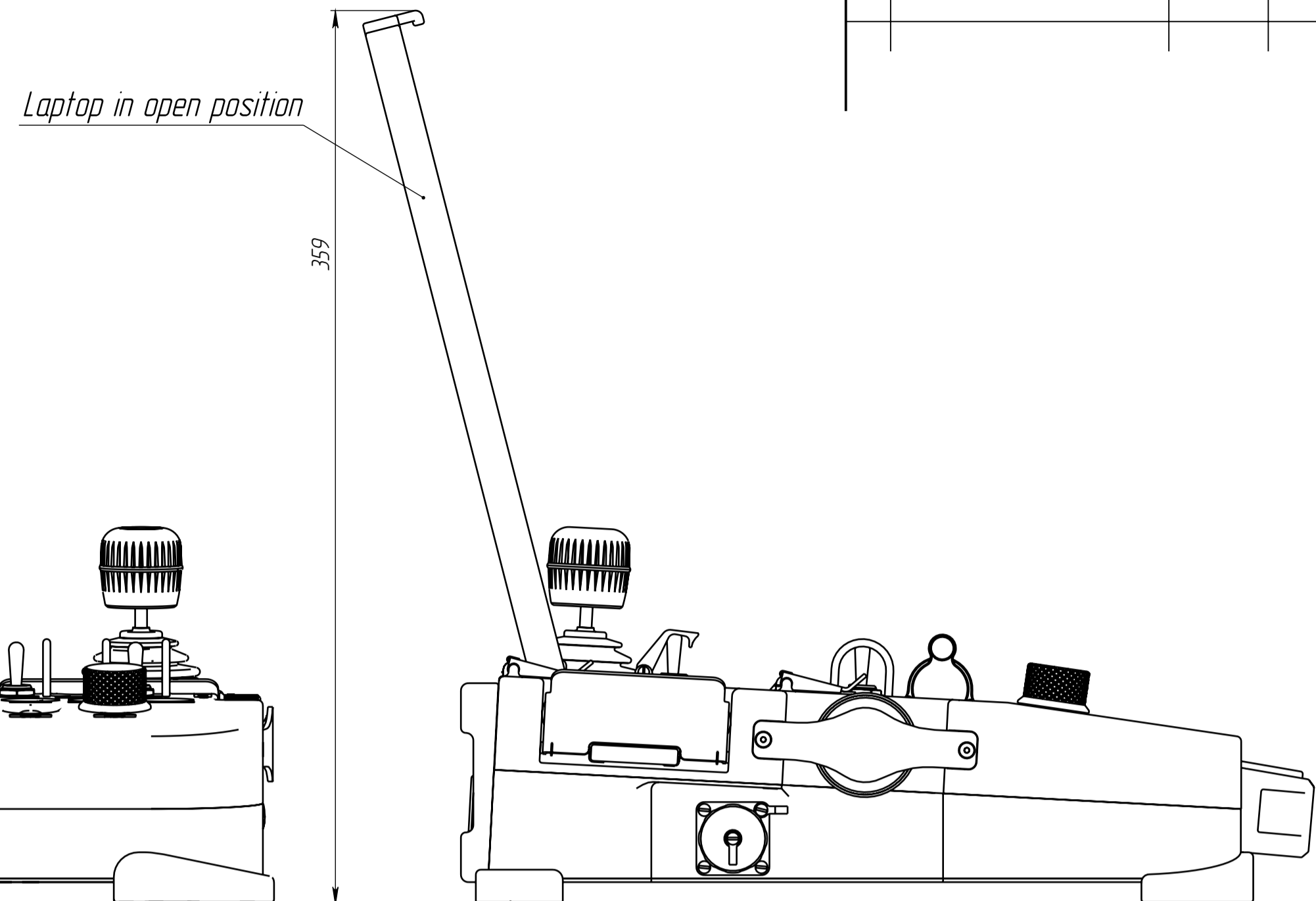
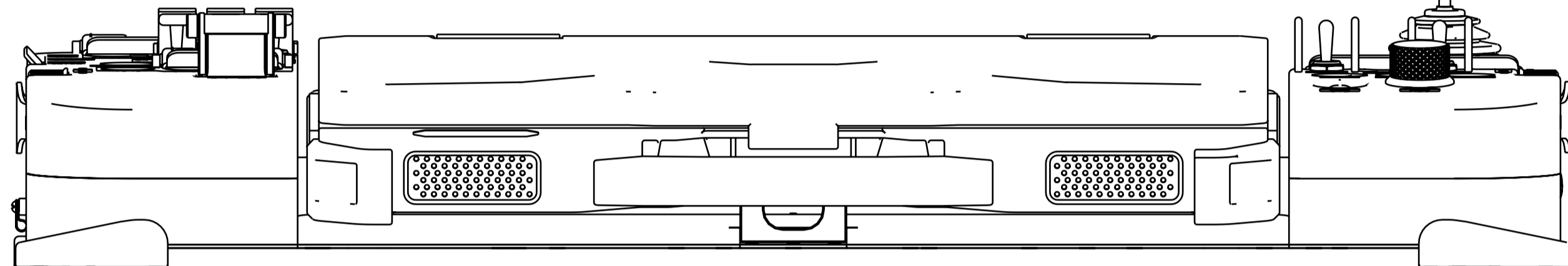
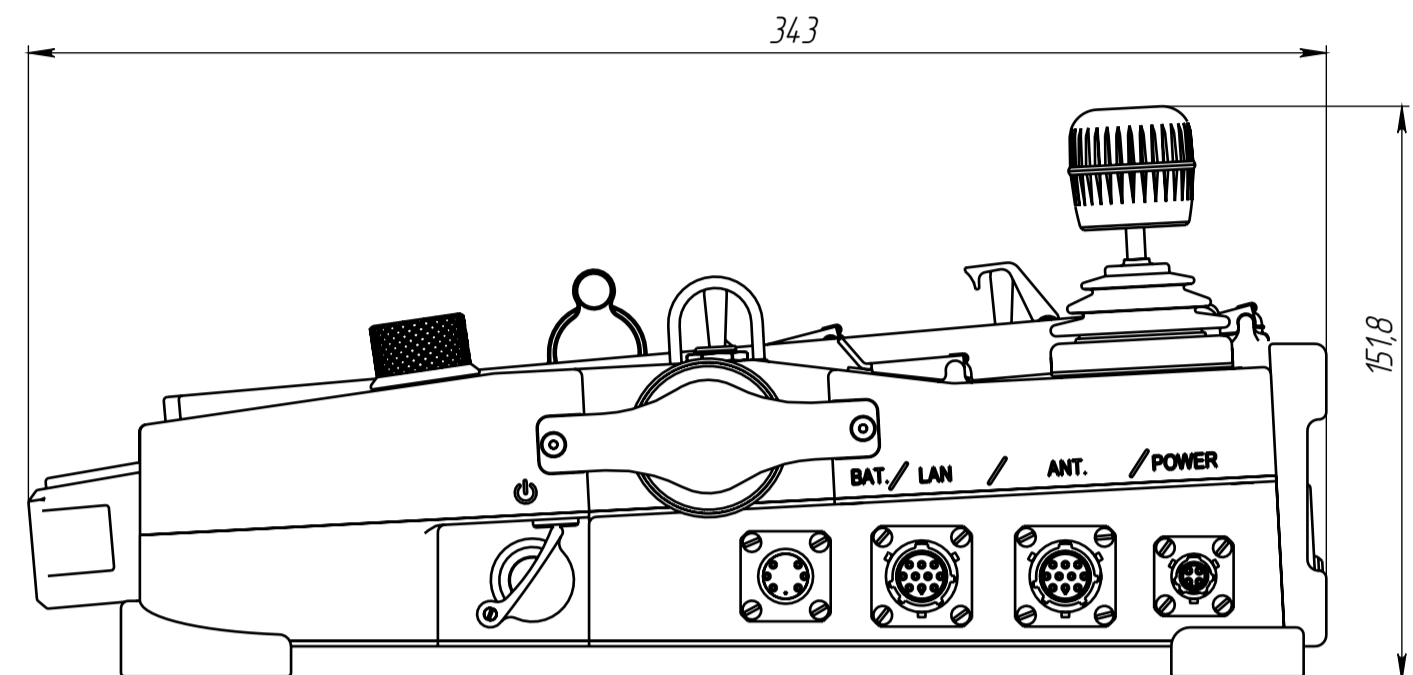
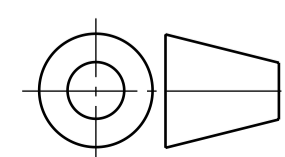


REVISIONS			
REV	DESCRIPTION	DATE	APPROVED



This drawing and any information or descriptive material set out on it are the confidential and copyright property of UAVOS® and MUST NOT BE DISCLOSED, COPIED, LOANED in whole or part or used for any purpose without the written permission of UAVOS.

UNLESS OTHERWISE SPECIFIED DIM ARE IN MILLIMETERS [DIM ARE IN INCHES] TOL ON ANGLES $\pm 0.5^\circ$ 0 PLACE ± 0.5 1 PLACE ± 0.1 INTERPRET DIM AND TOL PER ASME Y14.5M Surface Finish: Ra3.2



DRAFTER
CHECKER
DEV ENGR

CONTRACT NO.
UAVOS FUNDED

MATERIAL

UAVOS			
Portable ground control station PGCS.7			
SIZE	CAGE CODE	DRAWING NUMBER	REV
A1		UV01.468323.07.00	10
SCALE	1:2.5	WEIGHT KG	SHEET 1 OF 1
		8.593	