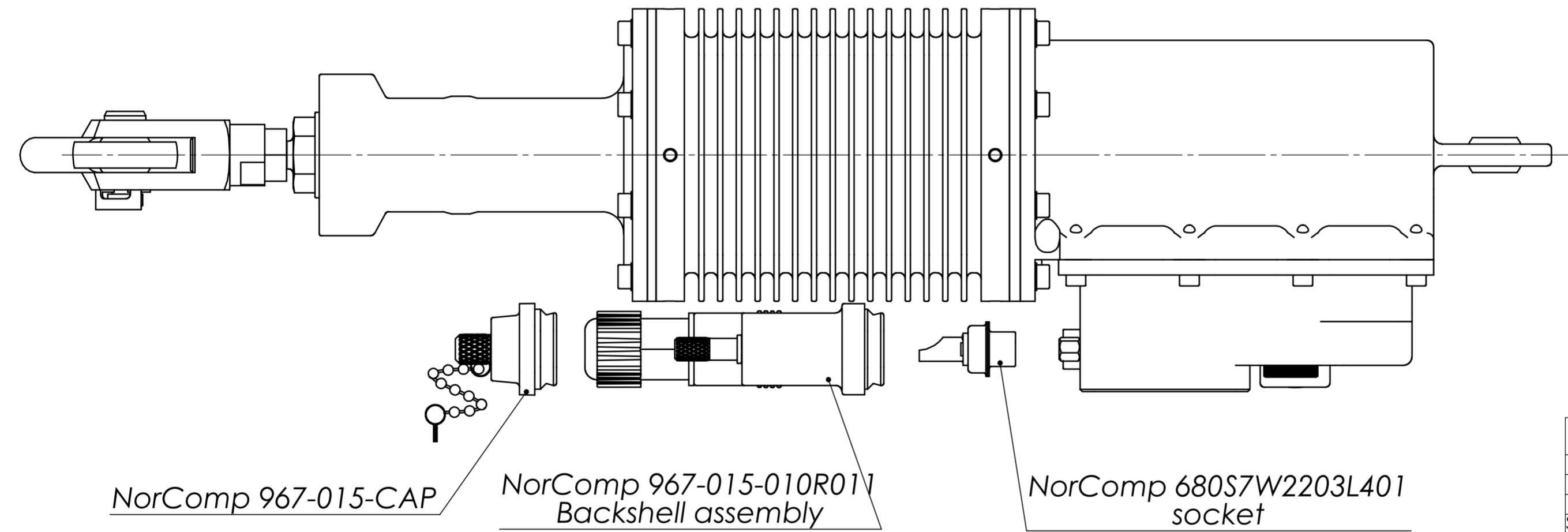
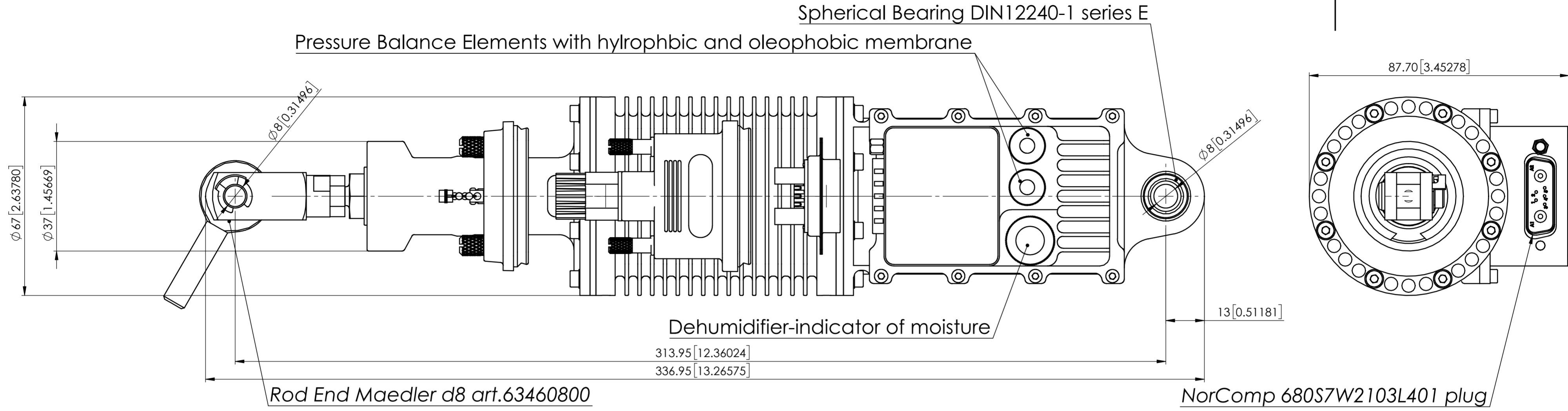


12 11 10 9 8 7 6 5 4 3 2 1

H G F E D C B A

REVISIONS			
REV	DESCRIPTION	DATE	APPROVED



Technical characteristics	SDLM-04B
Recommended power supply range, VDC	9 to 40
Max. consumption current at rated voltage 24 VDC, A	14
Rated speed, mm/s	up to 150
Stroke length, mm	100
Force (peak), N	1100
Force (continuous), N	1600
Resolution, μm	19
Weight, g(lbs)	1500(3.3)

Control: CAN 2.0B (CANaerospace)(option - CANopen CiA-402)
option - Ethernet (EtherCAT)

Electrical Connector: as required

Protection class: IP67

Operating Temperature Range, °C: -40 to +80

This drawing and any information or descriptive material set out on it are the confidential and copyright property of **UAVOS** and MUST NOT BE DISCLOSED, COPIED, LOANED in whole or part or used for any purpose without the written permission of **UAVOS**.

NEXT ASSY	USED ON
APPLICATION	

UNLESS OTHERWISE SPECIFIED
DIM ARE IN MILLIMETERS
[DIM ARE IN INCHES]
TOL ON ANGLES $\pm 0.5^\circ$
0 PLACE ± 0.5 1 PLACE ± 0.1
INTERPRET DIM AND TOL PER ASME Y14.5M
Surface Finish: **Ra3.2**

THIRD ANGLE PROJECTION

DRAFTER	
CHECKER	
DEV ENGR	
CONTRACT NO.	

UAVOS INC

Servo Drive SDLM-04B

UAVOS

UAVOS FUNDED

SCALE: **A2** 1:1 WEIGHT KG: 1.50 SHEET: 1 OF 1

DRAWING NUMBER: **UV01.654116.51.000**

REV: **10**

12 11 10 9 8 7 6 5 4 3 2 1